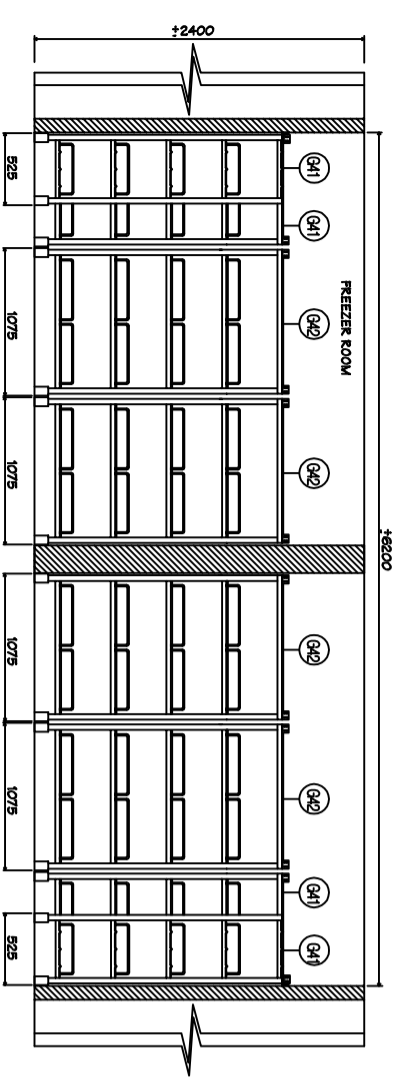
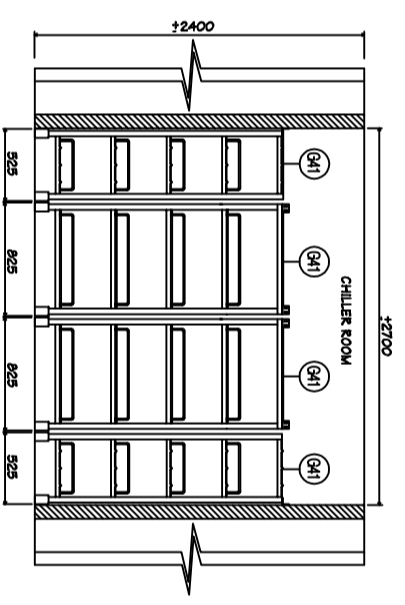


LIST OF ITEMS

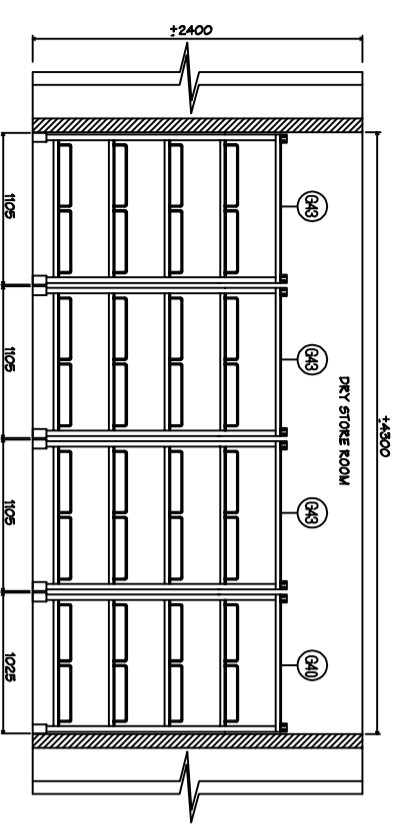
ITEM NO.	DESCRIPTION
GALLEY	
G26	SUS TABLE W/I SINK (1950 x 1350 x 600 x 900mm)
G29	POTATO PEELER - G
G30	SUS TABLE W/I SINK (1200 x 950 x 600 x 900mm)
G31	FOLDABLE DEFROSTING RACK
G32	CHOPPING BOARD W/KNIFE HOLDER
G38	DISH WASHER - G883
G39	CLEAN TABLE (1200 x 750 x 900mm)
G40	SUS PERFORATED SHELVING (1000 x 500 x 1800mm)
G41	SUS PERFORATED SHELVING (800 x 500 x 1800mm)
G42	SUS PERFORATED SHELVING (1050 x 500 x 1800mm)
G43	SUS PERFORATED SHELVING (1080 x 500 x 1800mm)



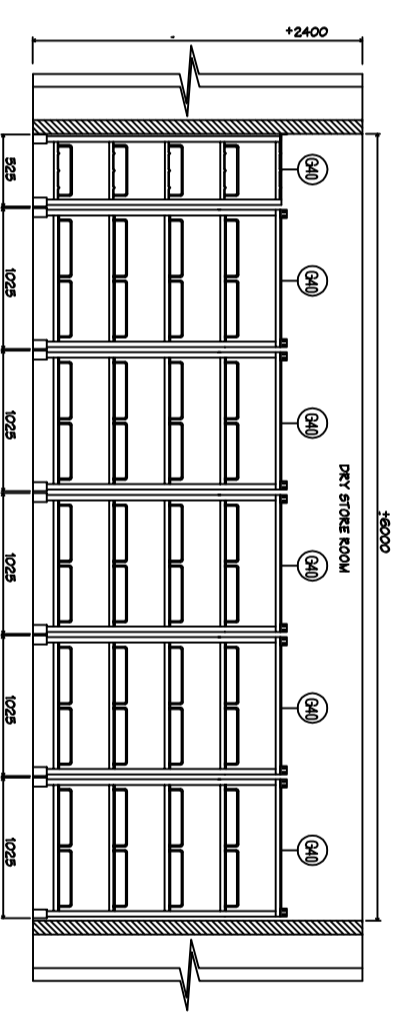
ELEVATION I - I



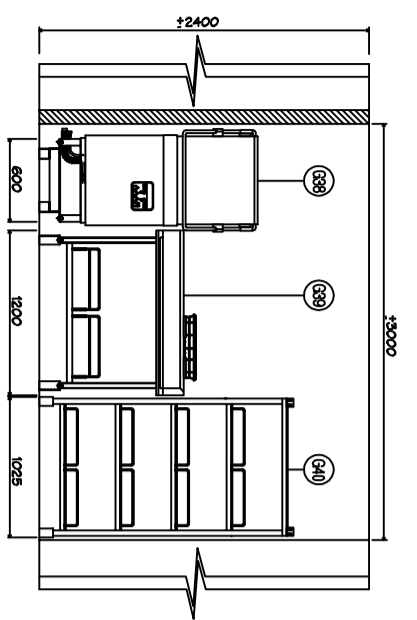
ELEVATION J - J



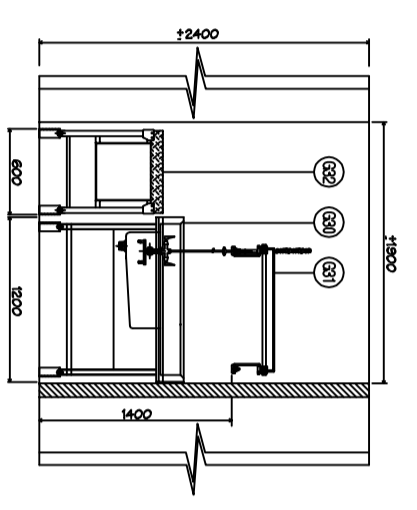
ELEVATION K - K



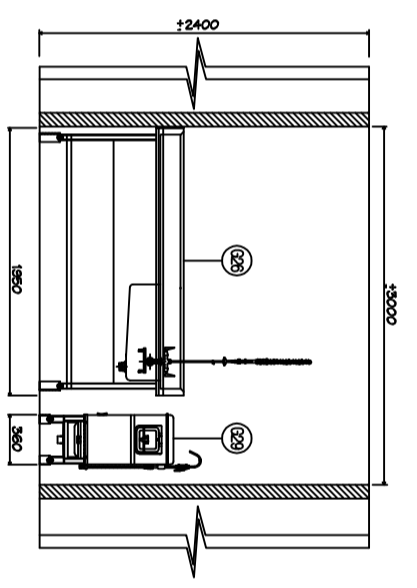
ELEVATION L - L



ELEVATION M - M



ELEVATION N - N



ELEVATION O - O

TITLE  
KUMANG CLUSTER DEVELOPMENT  
PROJECT GALLEY ELEVATION LAYOUT

DRAWN :	VJAY	M/CODE :	S/CODE :
REVISED :	00	SCALE :	NTS
CHECKED :		SHEETS :	3 OF 3

DATE : 26/07/07  
DRG NO. :  
GALLEY ARRANGEMENT LAYOUT &  
EQUIPMENT DESIGN & SUPPLY BY:



KANG LI FAR EAST PTE LTD  
(Private Address)  
Pasir Panjang P.O. Box 0065  
Singapore 911123  
Tel: 629 0773 7926  
E-mail: kfg@kang.com.sg

**ISO 9001**  
CERTIFIED  
COMPANY