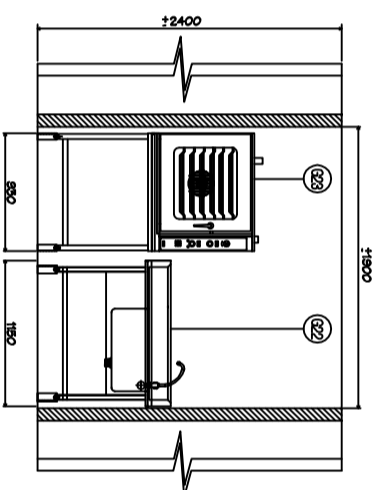
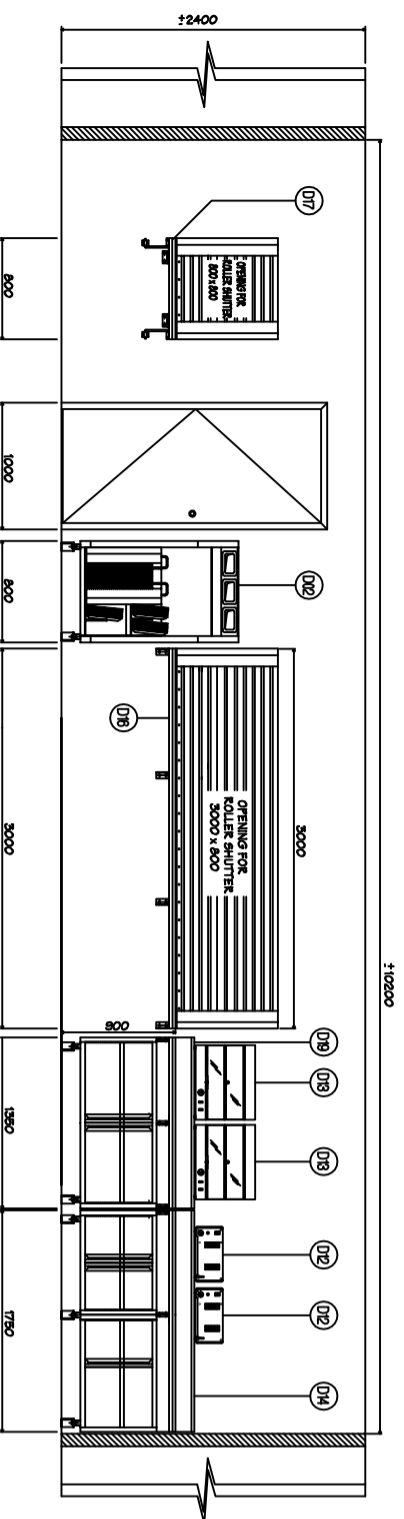


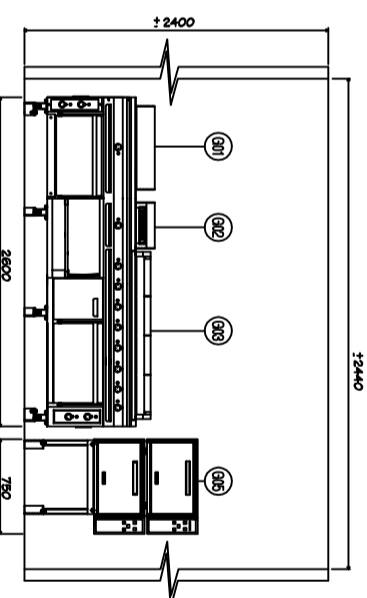
ELEVATION R - R



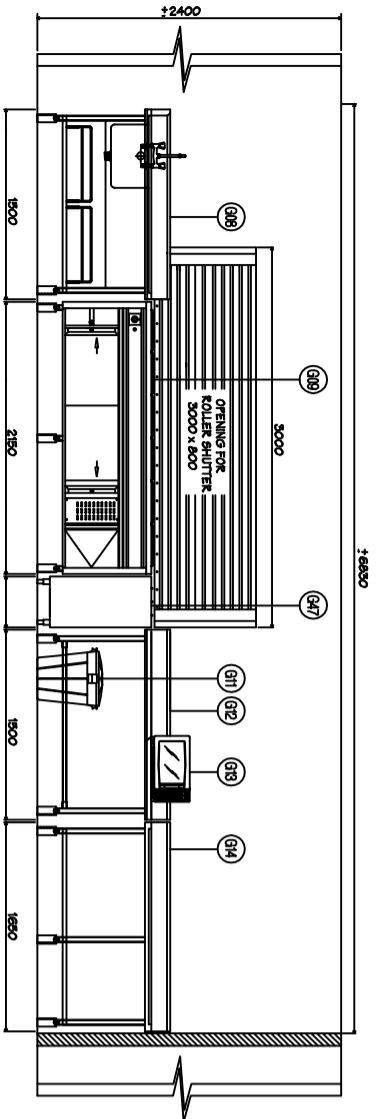
ELEVATION E - E



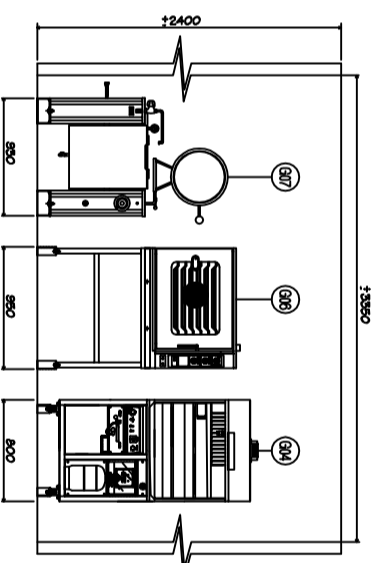
ELEVATION B - B



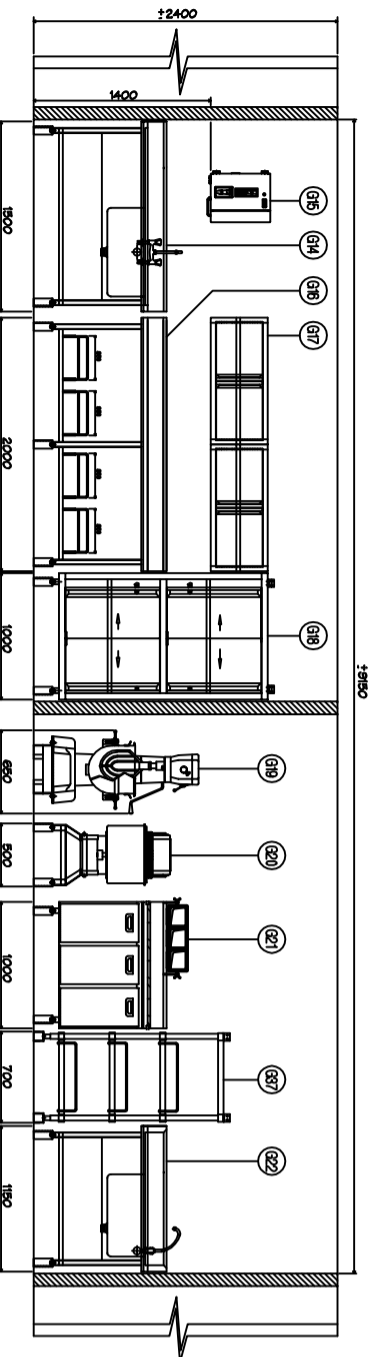
ELEVATION F - F



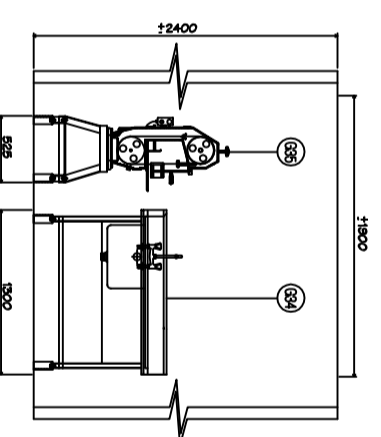
ELEVATION C - C



ELEVATION G - G



ELEVATION D - D



ELEVATION H - H

LIST OF ITEMS

ITEM NO.	DESCRIPTION
G01	ELECTRIC COOKING RANGE w/OVEN - KL2G
G02	ELECTRIC COOKING RANGE - KL1G
G03	ELECTRIC COOKING RANGE w/OVEN - KL26
G04	DEEP FRYER 20 LITRES w/(SOLAS APPROVAL TYPE) - 20 DFR/F53
G05	TWO TIER ELECTRIC RICE COOKER - FRC108NB
G06	CONVECTION STEAMER - MME 071
G07	ELECTRIC SOUP BOILER - EK200/30MT
G08	WORKING TABLE w/1 SINK (1300 x 700 x 900mm)
G09	BAIN MARIE w/HOT CABINET
G11	GARBAGE BIN
G12	WORKING TABLE (1500 x 700 x 900mm)
G13	MICROWAVE OVEN (COMMERCIAL TYPE) - R2197
G14	SUS TABLE w/1 SINK (1650 x 1550 x 700 x 900mm)
G15	ELECTRIC WATER BOILER - KL-TEMPO-WB110
G16	WORKING TABLE (2000 x 700 x 900mm)
G17	WALL MOUNTED CABINET w/SWING DOOR
G18	2 TIER CABINET
G19	UNIVERSAL COOKING MACHINE - ARM30
G20	DOUGH MIXER - SL35
G21	SUS FLOUR BIN w/MARBLE TOP AND INGREDIENT HOLDER
G22	SUS TABLE w/1 SINK (1150 x 1150 x 700 x 900mm)
G23	CONVECTION OVEN - MEC 071
G37	SUS SHELF (700 x 700 x 1500mm)
G47	PLATE DISPENSER
D02	CUTLERY COUNTER & PLATE DISPENSER
D03	ICE CREAM MACHINE - 424
D04	ICE CUBE MACHINE - MV300
D05	CUP RAQK
D06	COFFEE URN - RU300-63
D07	JUICE DISPENSER - LP18 x 2
D08	SUS TABLE w/TRAY SLIDE (1850 x 700 x 900mm)
D09	WATER STATION
D10	SODA DISPENSER
D11	CEREAL DISPLAY
D12	BREAD TOASTER - R6AT5
D13	BREAD DISPLAY
D14	SUS TABLE w/TRAY SLIDE (1850 x 1750 x 700 x 900mm)
D16	TRAY SLIDE
D17	FOLDABLE TRAY SLIDE
D18	REFRIGERATOR (DISPLAY TYPE) - YD021C
D19	SUS TABLE w/TRAY SLIDE (1350 x 700 x 900mm)

TITLE
KUMANG CLUSTER DEVELOPMENT
PROJECT GALLEY ELEVATION LAYOUT

DRAWN :	VJAY	M/CODE :	S/CODE :
REVISED :	00	SCALE :	NTS
CHECKED :		SHEETS :	2 OF 3
DATE :	28/07/07	DRG No. :	

GALLEY ARRANGEMENT LAYOUT & EQUIPMENT DESIGN & SUPPLY BY:

ISO 9001

CERTIFIED COMPANY



KANG ULFAR EAST PTE LTD
 (Trading Address)
 P.O. Box 0065
 Selegie Road #21/23
 Singapore 180123
 Tel: (65) 6775 1928
 Fax: (65) 6775 1928
 E-mail: kulp@kulp.com